

FLOOR PLAN
SCALE: 1/8" = 1'-0"

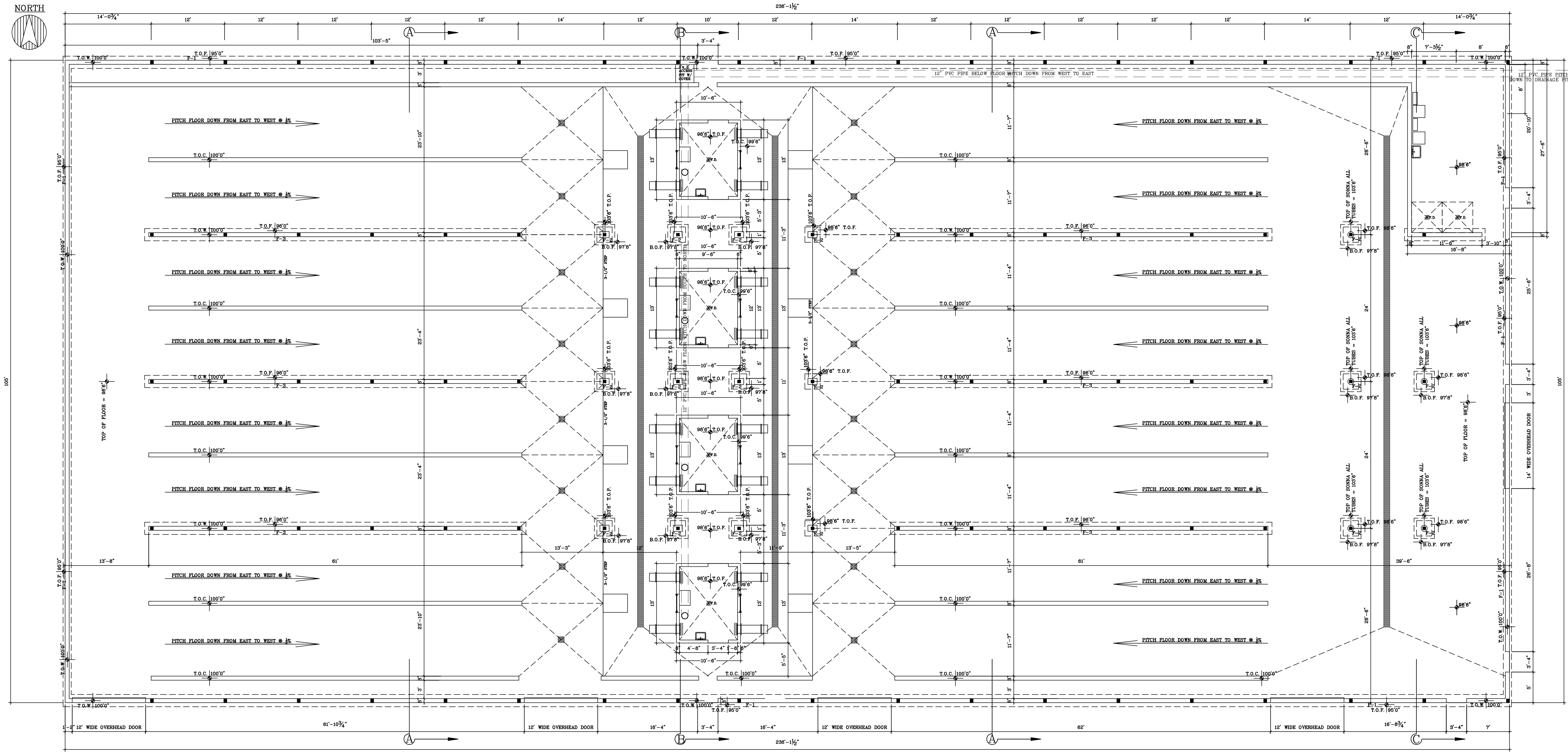
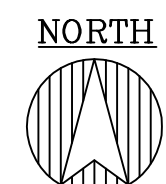
KEY TO DRAWINGS	
PAGE	DESCRIPTION
1 OF 4	FLOOR PLAN
2 OF 4	FOUNDATION PLAN
3 OF 4	CROSS SECTIONS
4 OF 4	ENLARGED FEEDING ROOM AND UTILITY ROOM

SCALE NOTED
DATE: 12OCT17
NAME: BL
DWG. NO. 17-296
CAD FILE:
REVISIONS:
23OCT17 24oct17

PROPOSED CONCRETE PLAN FOR
S.D. Ellenbecker, Inc.
ATHENS WI

BESTIMATE LLC
http://bestimatellc.com
714 E Ninth St
Marshfield, WI 54449
bob@bestimatellc.com
715-506-0040





FOOTING SCHEDULE		TOP OF FOOTING (UNLESS NOTED)	NOTES
MARK FOOTING SIZE	REINFORCEMENT		
F-1 24" x 10" CONTINUOUS	#2 EA 5 REBAR @ 17" OC CONTINUOUS	96"0"	
F-2 24" x 20" x 12" THICK	#5 REBAR @ 11" OC BOTH WAYS (3 MIN)	96"6"	
F-3 24" x 10" CONTINUOUS	#2 EA 5 REBAR @ 17" OC CONTINUOUS	96"0"	

FOOTINGS ARE SIZED CALLING FOR MIN. 3500 PSI CONCRETE - ALWAYS MAINTAIN 3" COVER

FOUNDATION PLAN
SCALE: 1/8" = 1'-0"

SCALE NOTED
DATE: 12OCT17
NAME: BL
DWG. NO. 17-296
CAD FILE:
REVISIONS:
23OCT17

PROPOSED CONCRETE PLAN FOR
S.D. Ellenbecker, Inc.
ATHENS WI

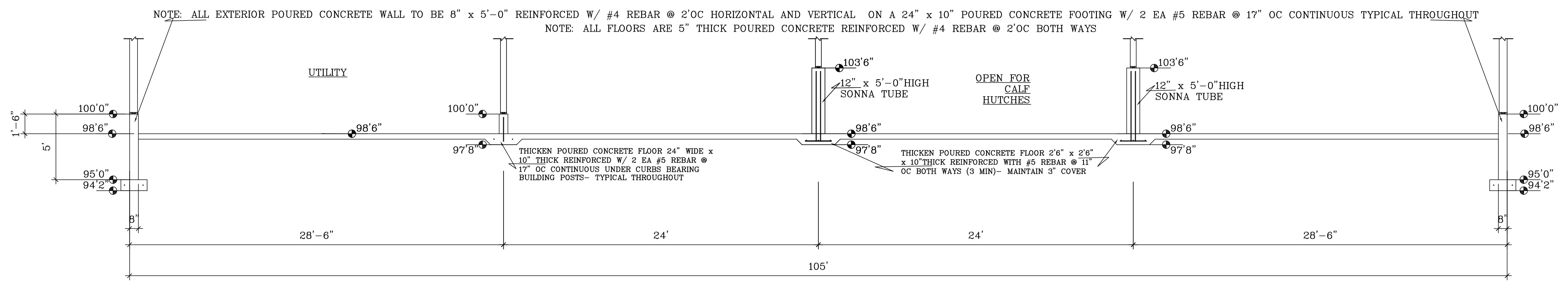
BESTIMATE LLC
http://bestimatellc.com
714 E Ninth St
Marshfield, WI 54449



SCALE: 1/8" = 1'-0"
 DATE: 12OCT17
 NAME: BL
 DWG. NO: 17-296
 CADFILE:
 REVISIONS:
 23OCT17

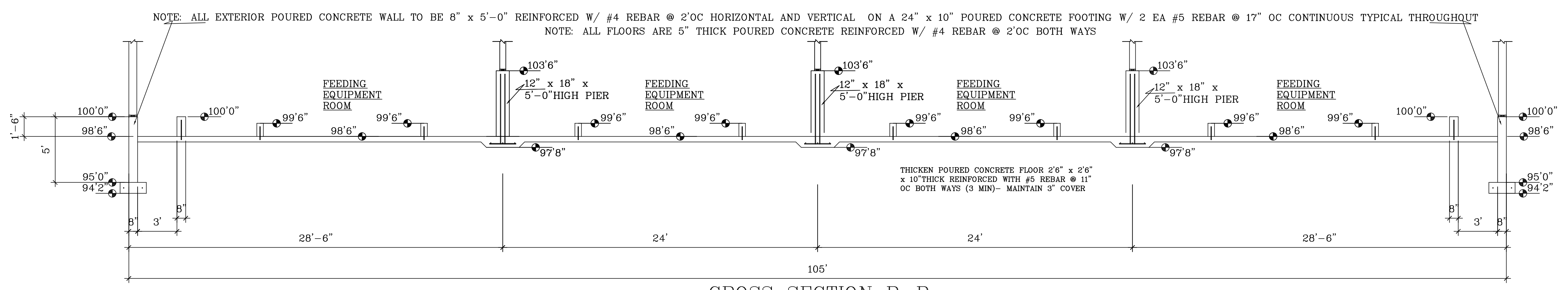
PROPOSED CONCRETE PLAN FOR
 S.D. Ellenbecker, Inc.
 ATHENS WI

BESTIMATE LLC
 http://bestimatellc.com
 bob@bestimatellc.com
 714 E Ninth St
 Marshfield, WI 54449



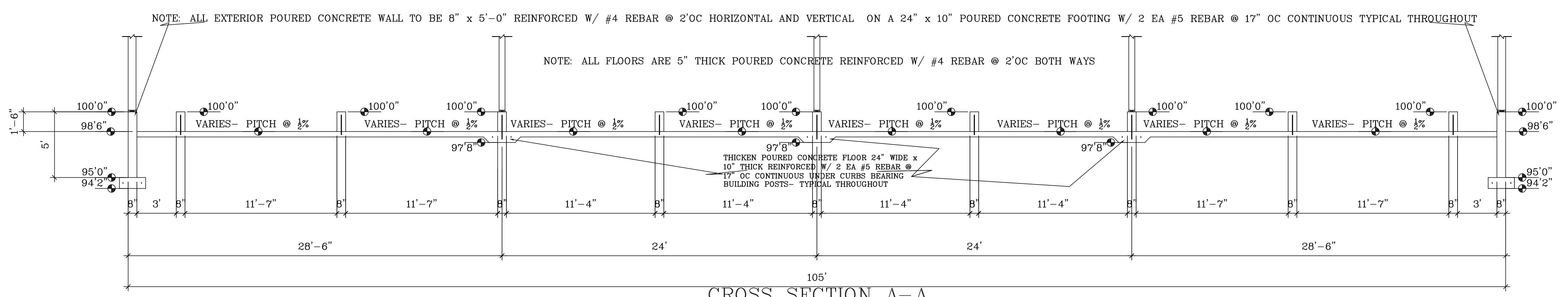
CROSS SECTION C-C

SCALE: 1/4" = 1'-0"



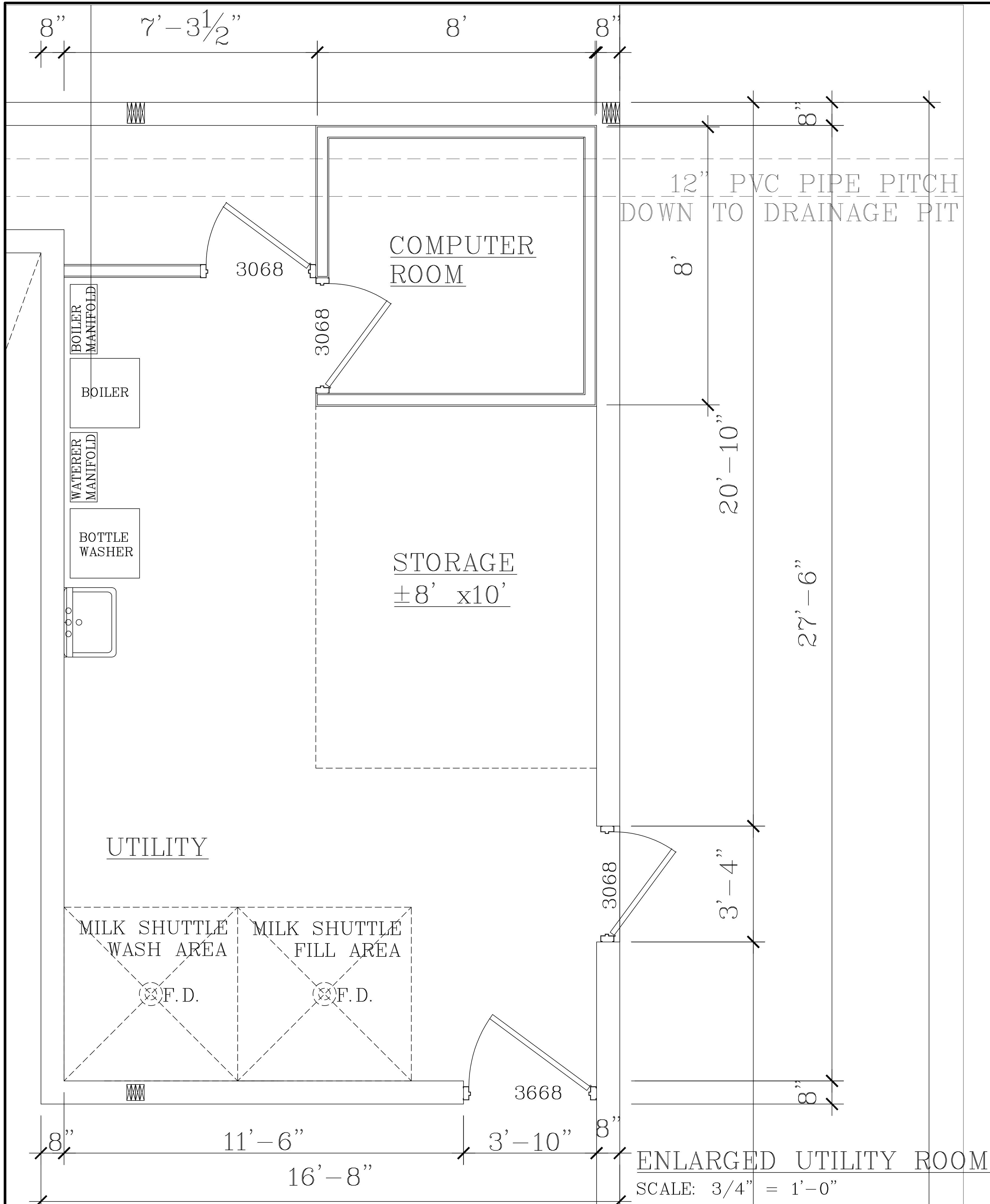
CROSS SECTION B-B

SCALE: 1/4" = 1'-0"

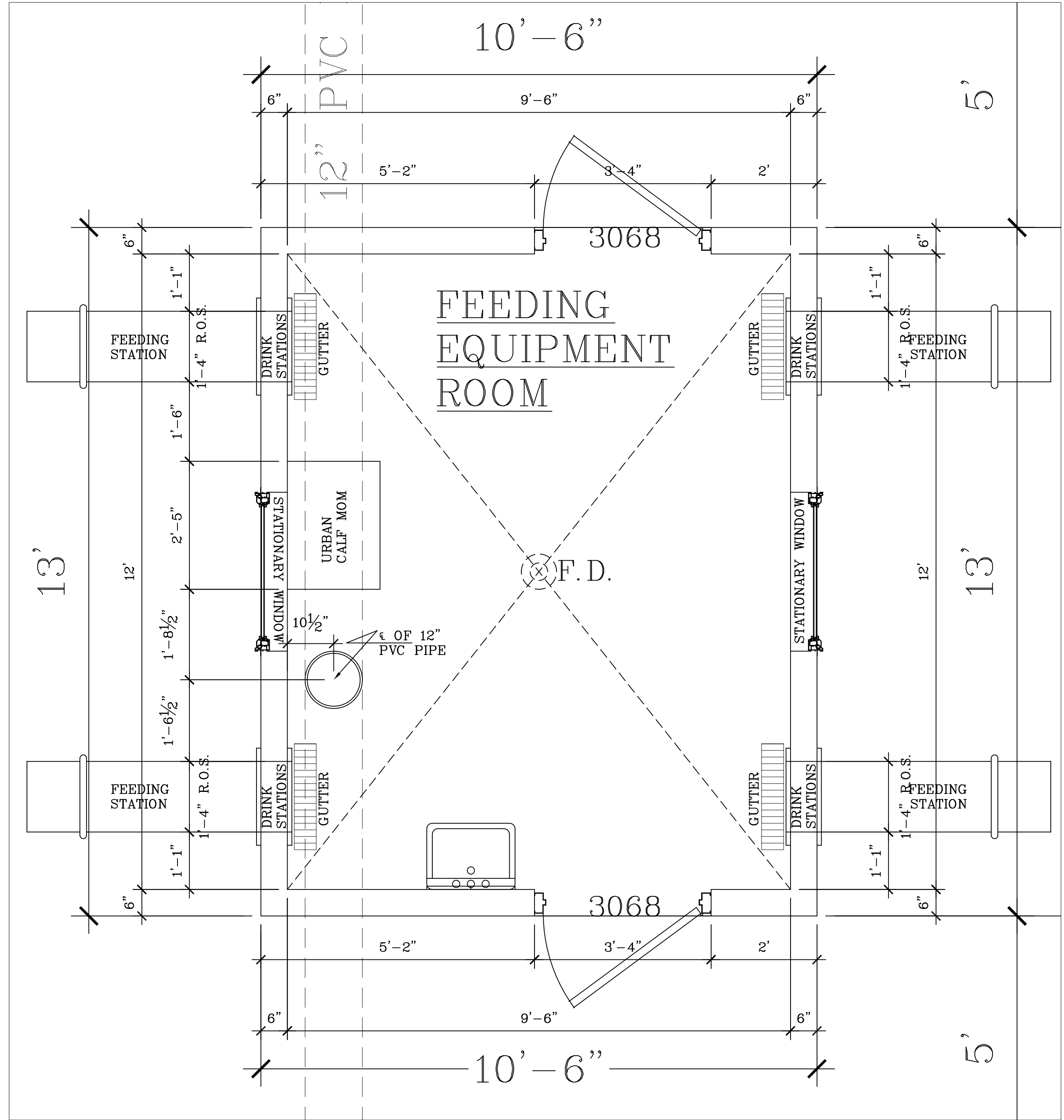


CROSS SECTION A-A

SCALE: 1/4" = 1'-0"



ENLARGED UTILITY ROOM
SCALE: 3/4" = 1'-0"



ENLARGED FEEDING ROOM
SCALE: 3/4" = 1'-0"

SCALE: 1/8" = 1'-0"
DATE: 12OCT17
NAME: BL
DWG. NO. 17-296
CAD FILE:
REVISIONS:
23OCT17

PROPOSED CONCRETE PLAN FOR
S.D. Ellenbecker, Inc.
ATHENS WI

BESTIMATE LLC
<http://bestimatellc.com>
 714 E Ninth St
 Marshfield, WI 54449
 bob@bestimatellc.com
 715-506-0040

