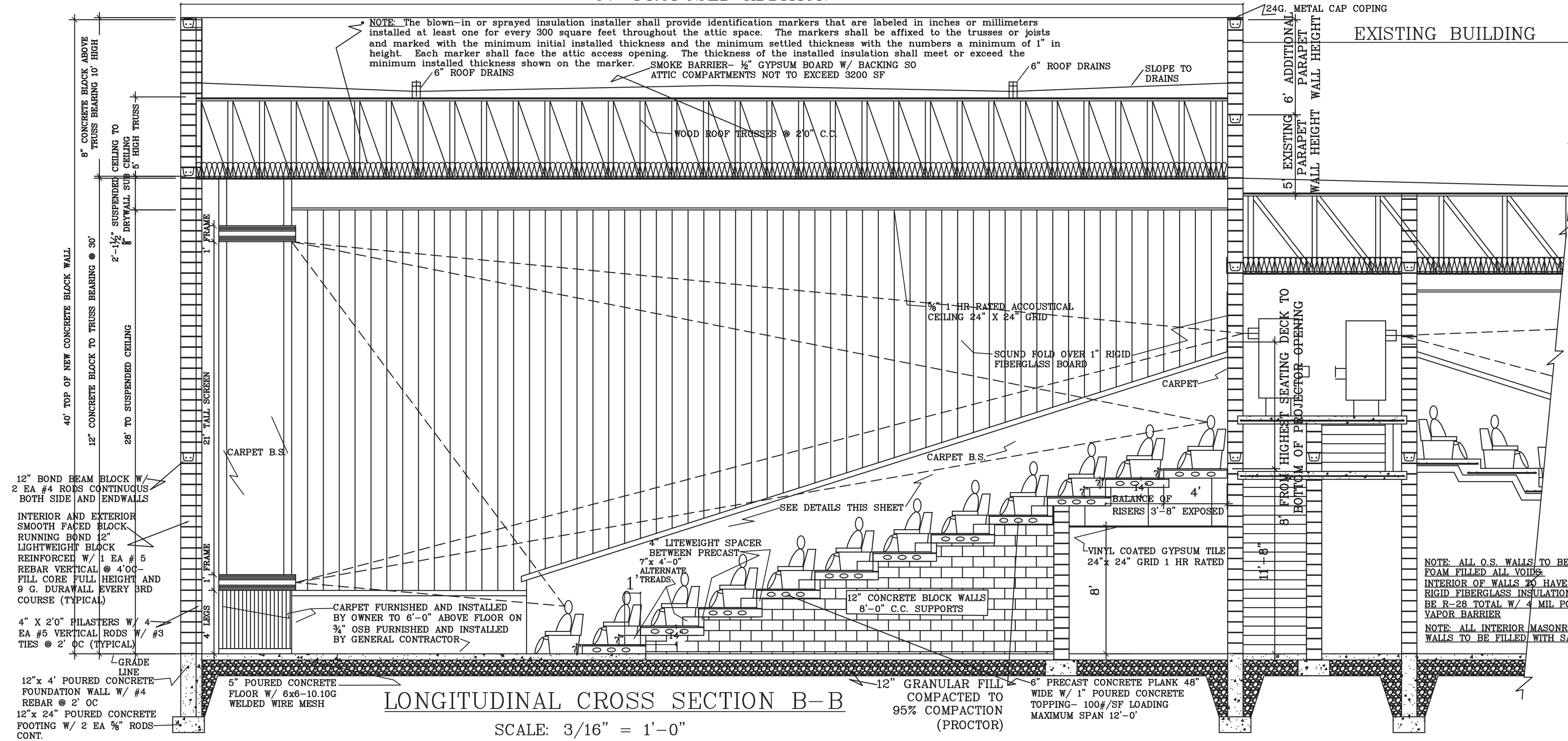
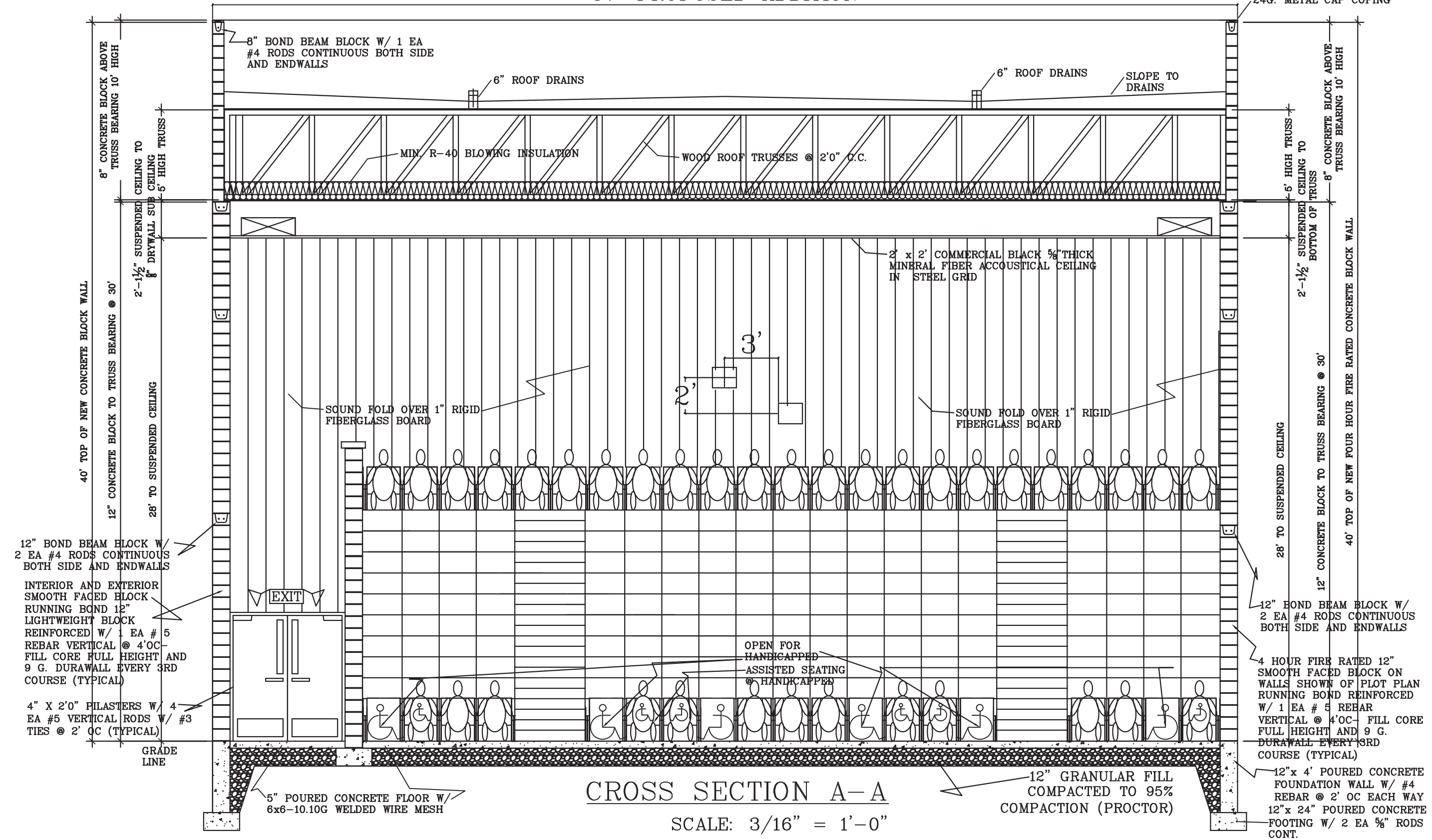


67' PROPOSED ADDITION

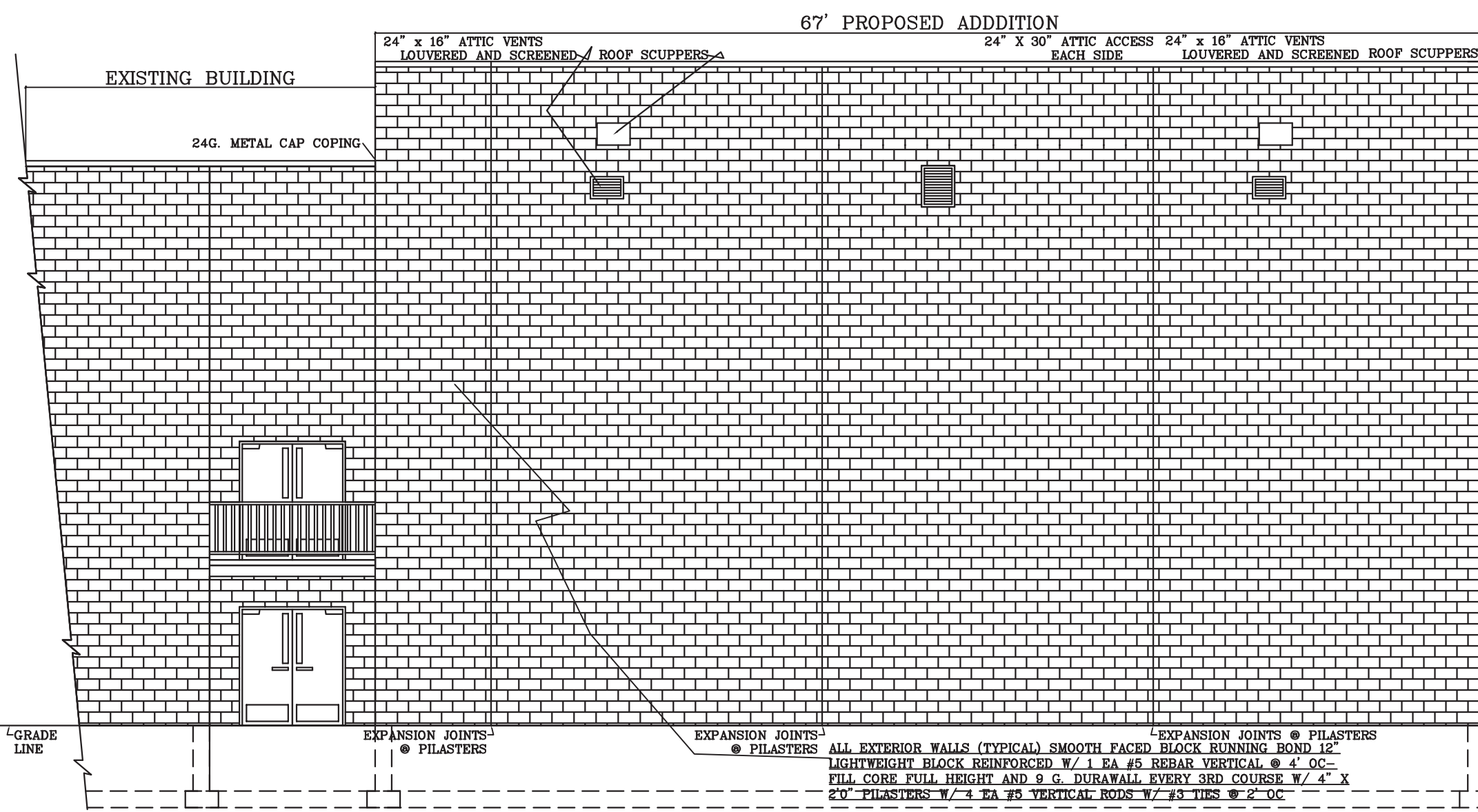


LONGITUDINAL CROSS SECTION B-B
SCALE: 3/16" = 1'-0"

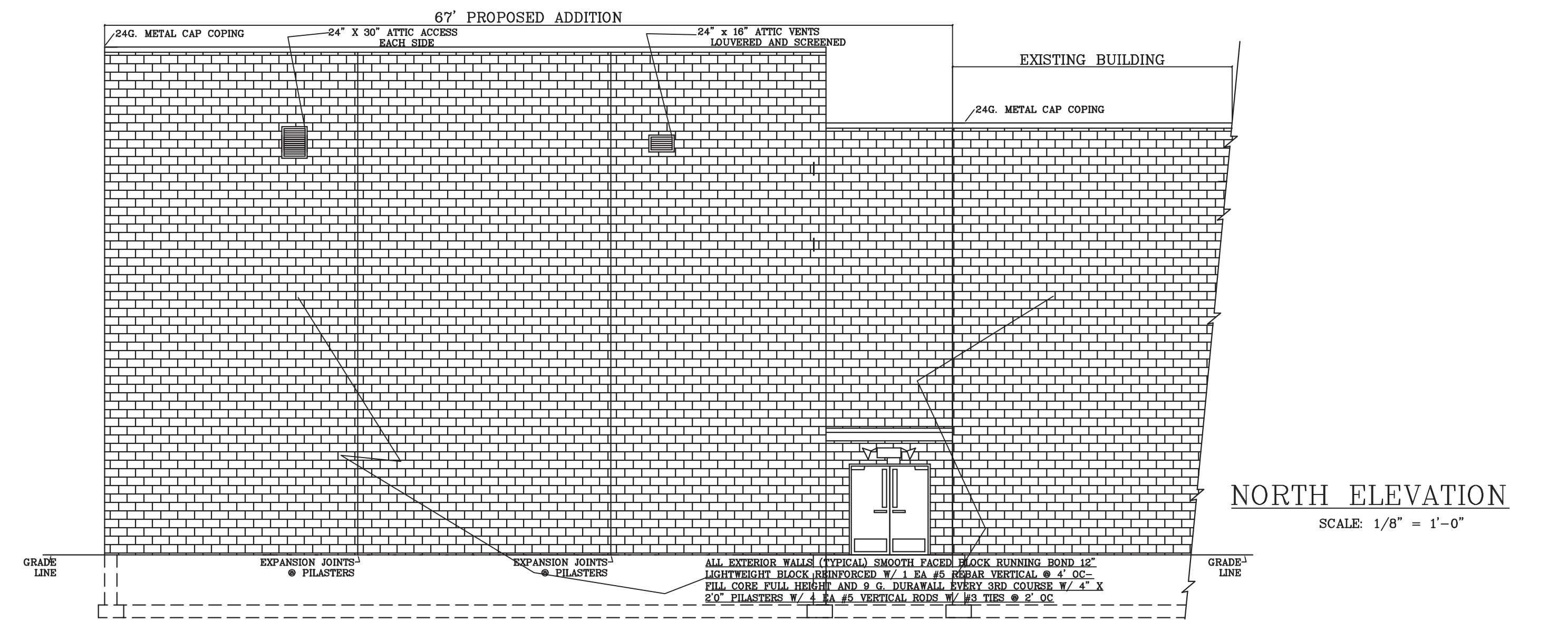
57' PROPOSED ADDITION



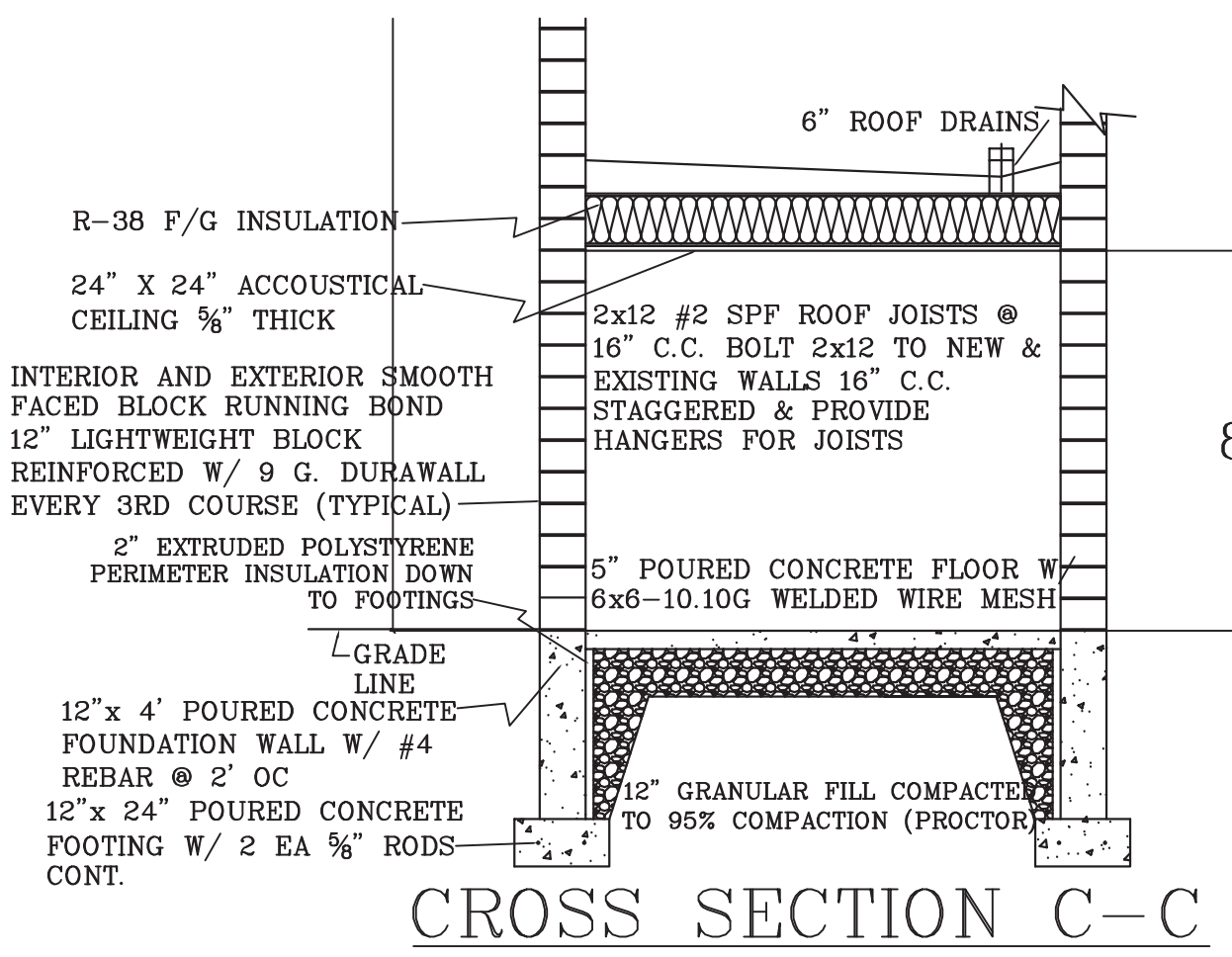
CROSS SECTION A-A
SCALE: 3/16" = 1'-0"



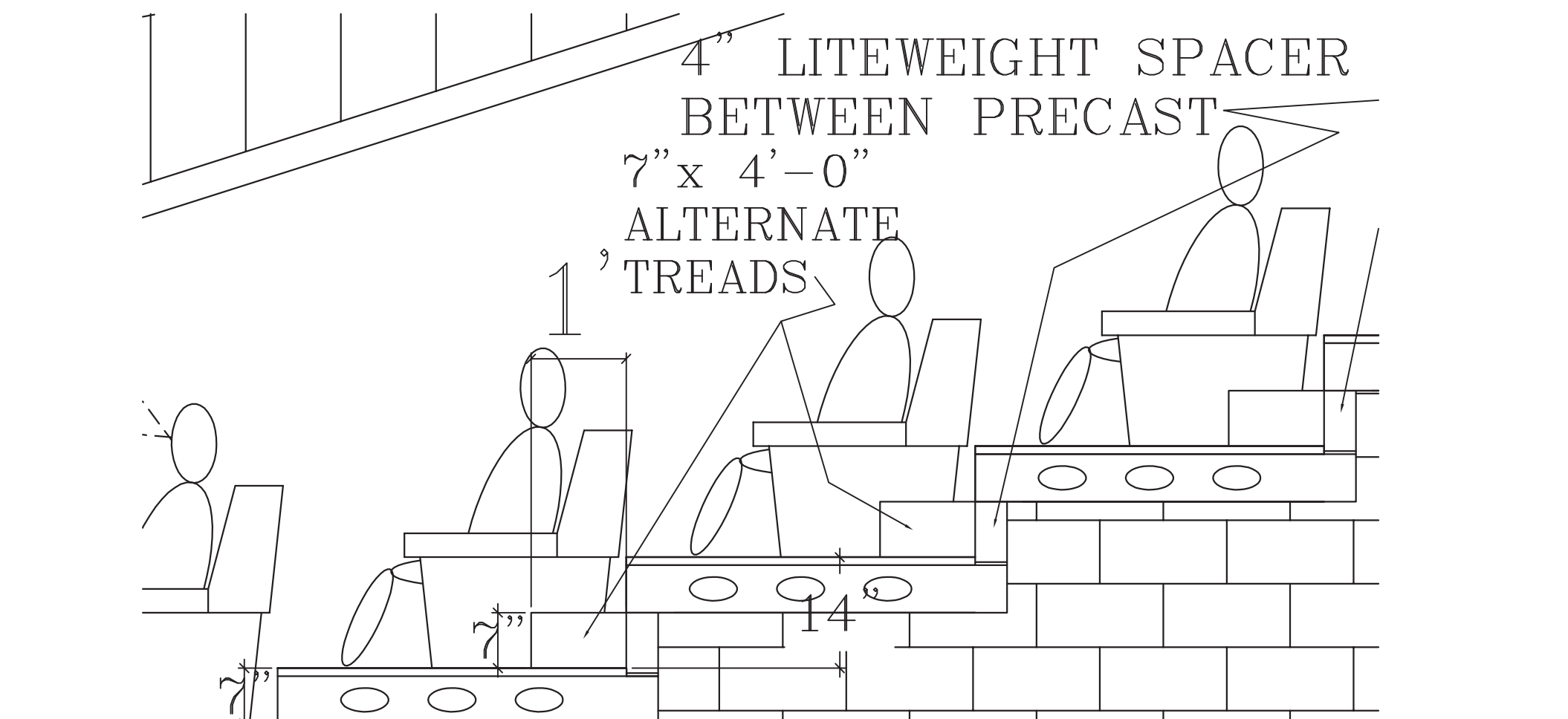
EAST ELEVATION
SCALE: 1/8" = 1'-0"



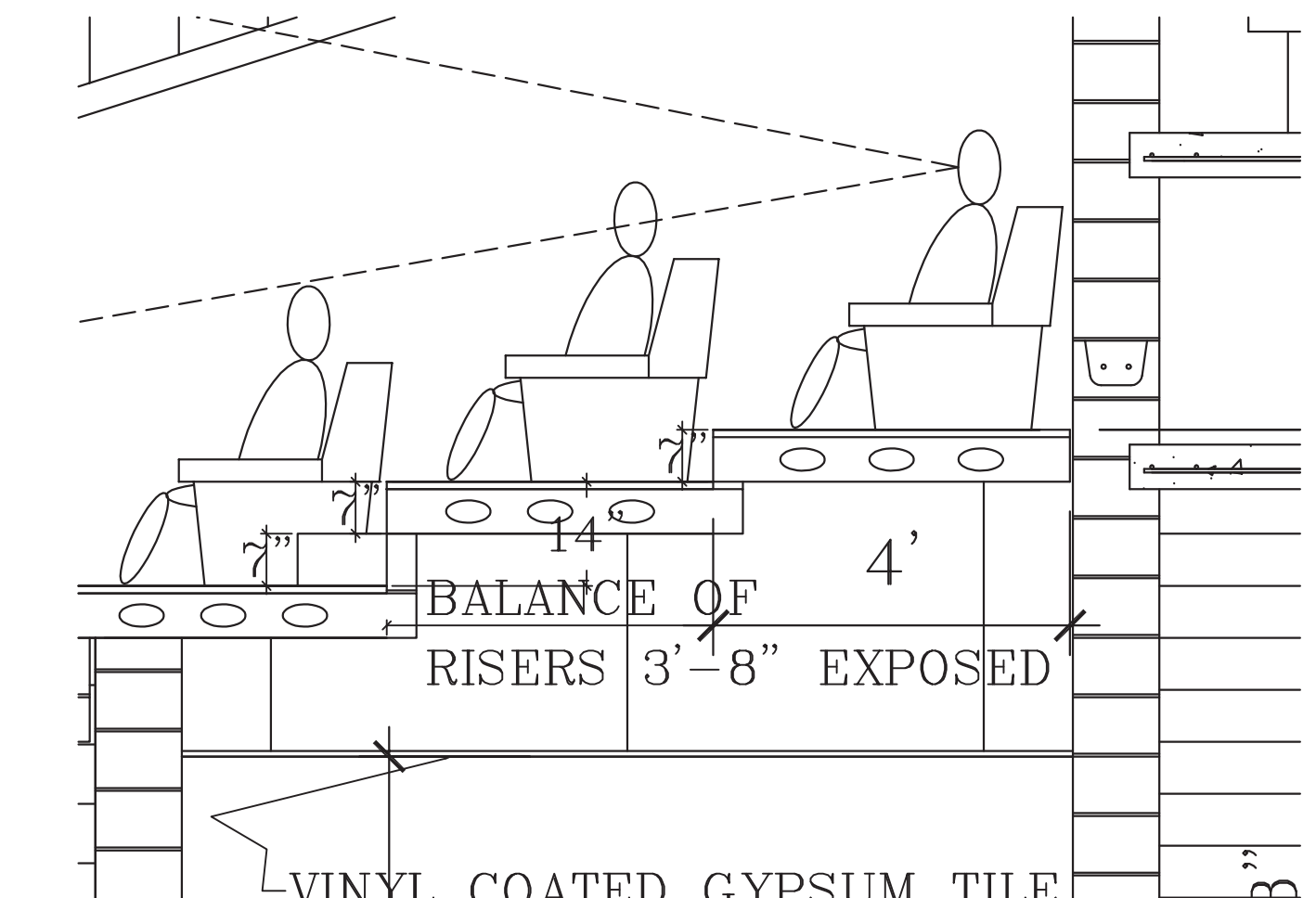
NORTH ELEVATION
SCALE: 1/8" = 1'-0"



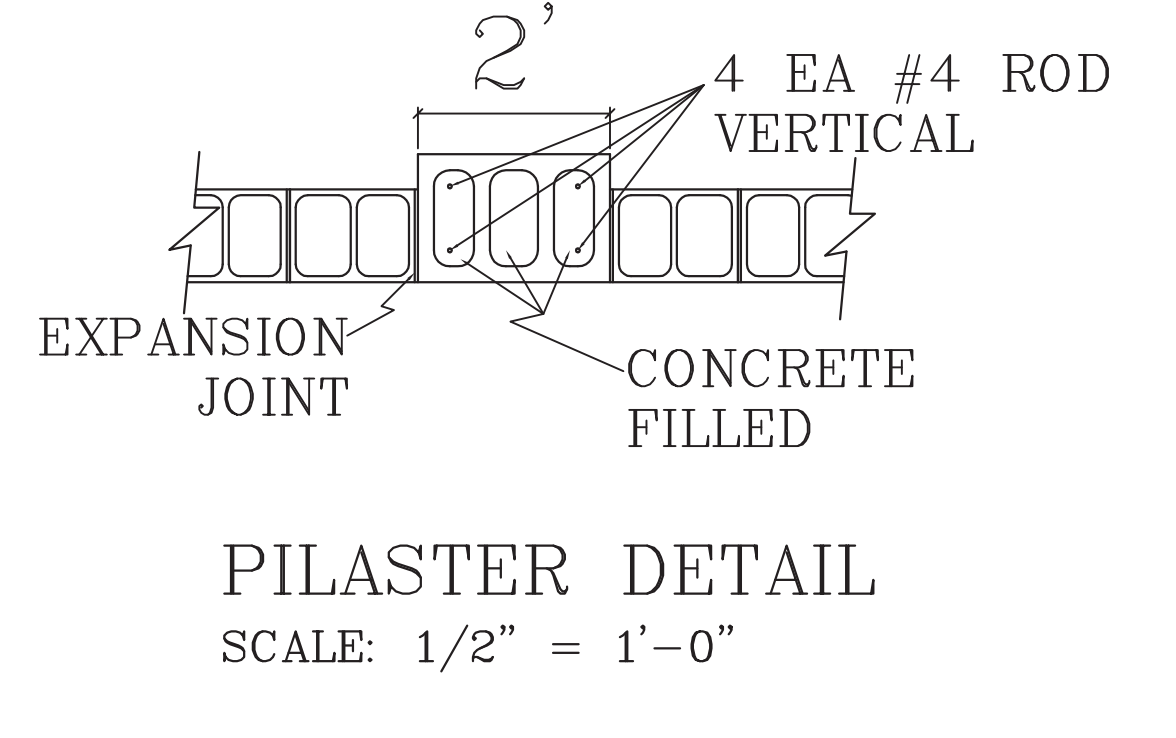
CROSS SECTION C-C
SCALE: 1/4" = 1'-0"



DETAILS FOR BOTTOM RISERS SEATING SCALE: 3/4" = 1'-0"



DETAILS FOR UPPER RISERS SEATING SCALE: 1/2" = 1'-0"



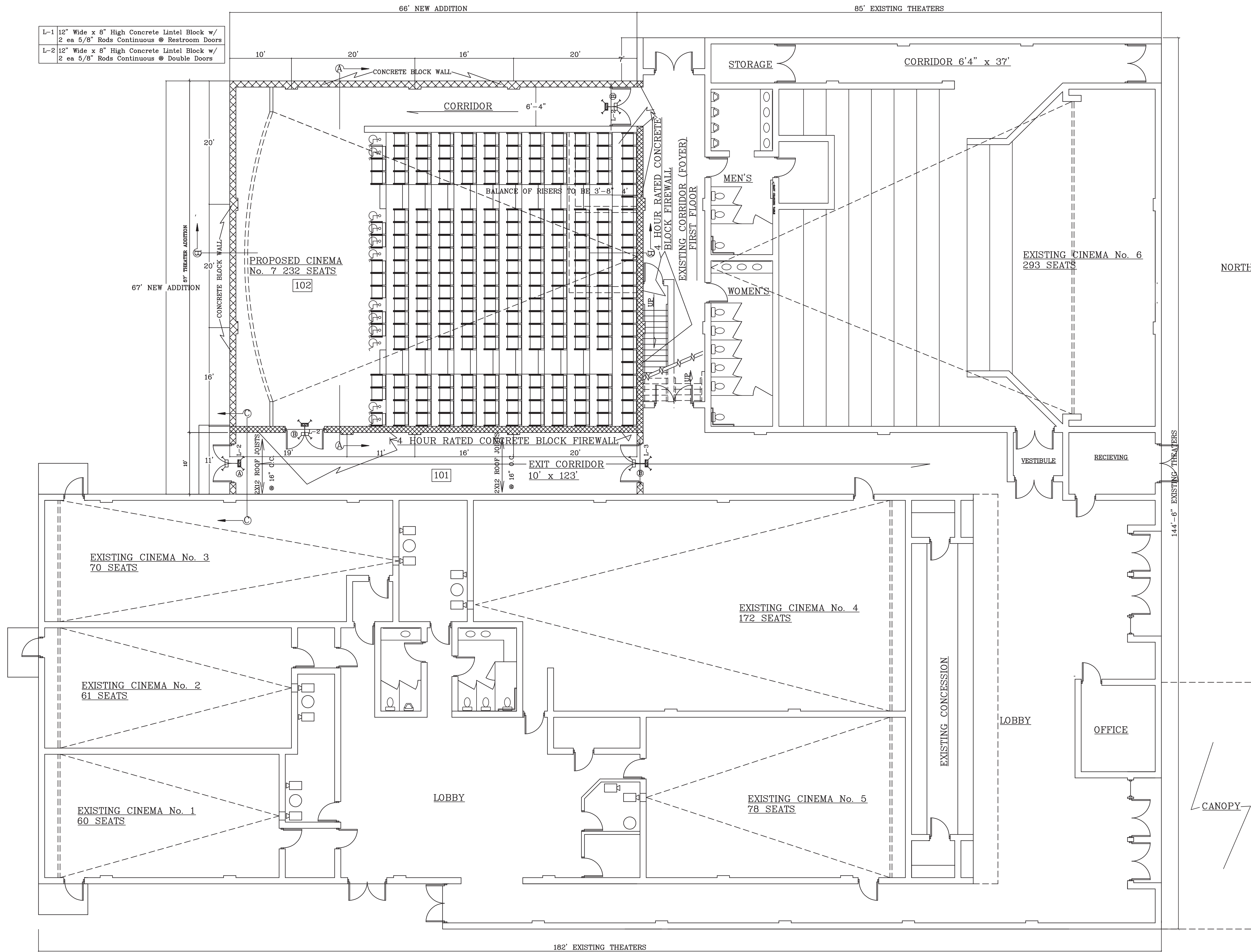
PILASTER DETAIL
SCALE: 1/2" = 1'-0"

O'DONNELL ENGINEERING ASSOCIATES
Architects • Engineers
W 594 Heintown Road
Chili, WI 54420
Office (715) 683-2755 • Home (715) 384-8833
odonnelleng@odonnellweb.net

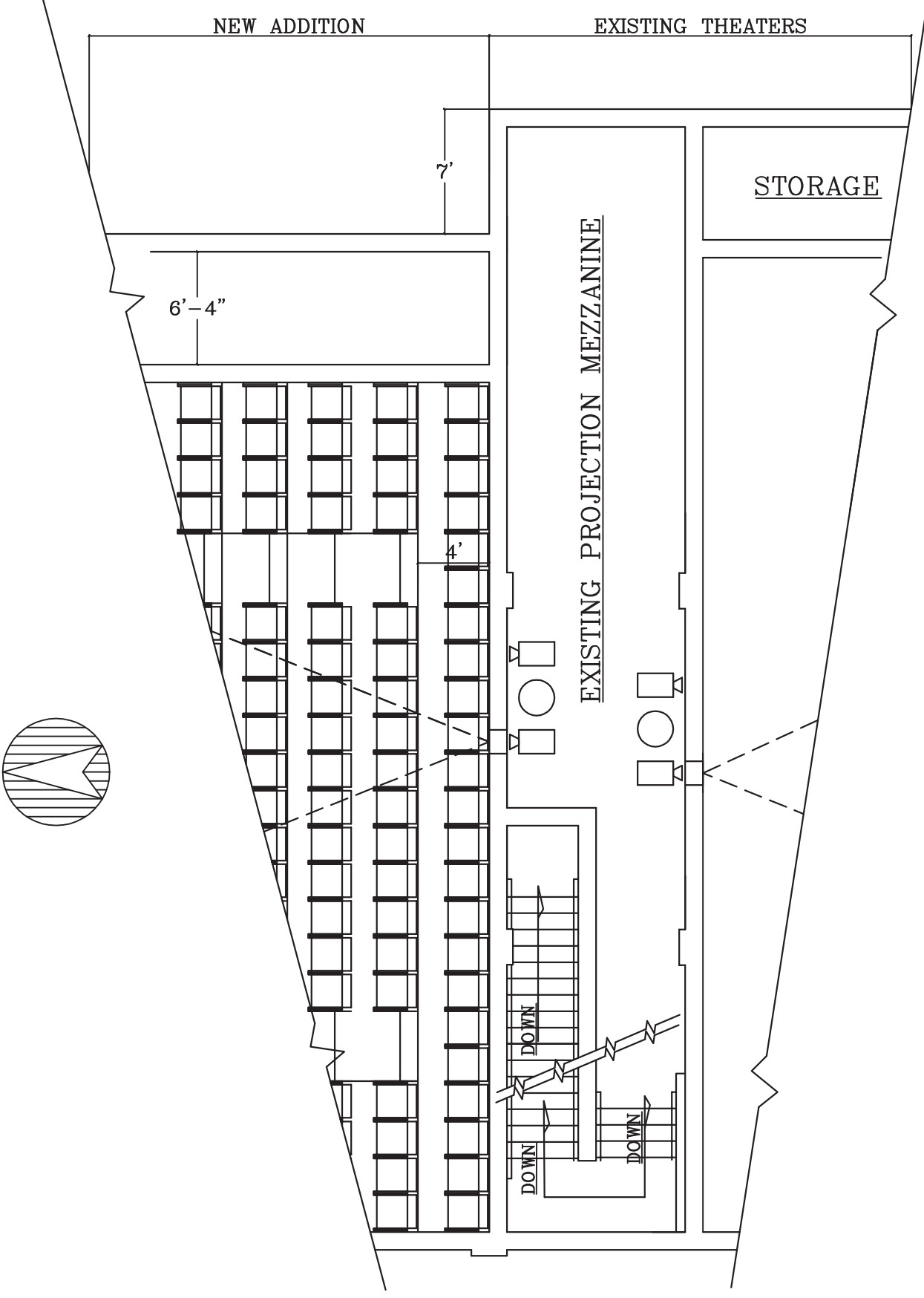
PROPOSED THEATER #7 ADDITION FOR
Roger's Cinemas Inc.
2725 S. Church Street, Stevens Point, WI 54481

SCALE: Noted	PAGE NO:
DATE: 5/4/2010	
NAME: BL	
DWG. NO.: 13-148	A4 of 4
CAD FILE: RogersCinemaStPtAddition1Jul13	
REVISIONS: 16mar10, 21may10, 1Jul13, 18Jul13 26Aug13	

- L-1 12" Wide x 8" High Concrete Lintel Block w/
2 ea 5/8" Rods Continuous @ Restroom Doors
- L-2 12" Wide x 8" High Concrete Lintel Block w/
2 ea 5/8" Rods Continuous @ Double Doors



OVERALL FLOOR PLAN
SCALE: 1/8"=1'-0"



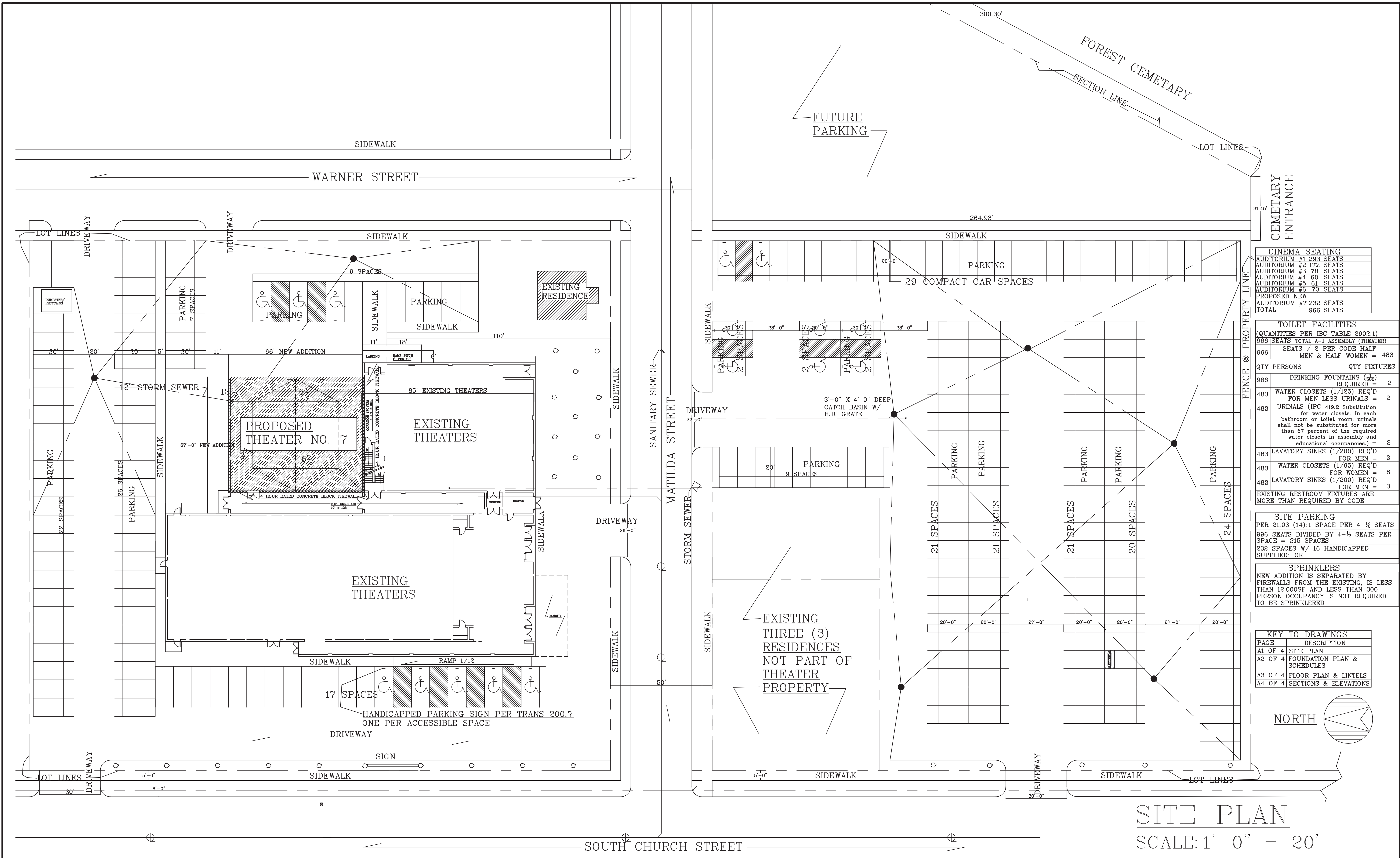
MEZZANINE PLAN
SCALE: 1/8"=1'-0"

NOTE: Building Owner will provide a separate room or designated space within or adjacent to the building for the separation, temporary storage and collection of recyclable materials that are likely to be generated by the building occupants. Flammable or combustible material storage shall comply with ch. SPS 314. Flammable or combustible liquid storage shall comply with ch. SPS 310.

O'DONNELL ENGINEERING ASSOCIATES
Architects • Engineers
W 594 Heintown Road
Chili, WI 54420
Office (715) 683-2755 • Home (715) 384-8833
odonnelleng@odonnellweb.net

PROPOSED THEATER #7 ADDITION FOR
Roger's Cinemas Inc.
2725 S. Church Street, Stevens Point, WI 54481

SCALE: Noted	PAGE NO:
DATE: 5/4/2010	
NAME: BL	
DWG. NO.: 13-148	
CAD FILE: RogersCinemaStPtAddition1Jul13	
REVISIONS: 16mar10, 21may10, 1Jul13, 18Jul13 26Aug13	



CINEMA SEATING	
AUDITORIUM #1	293 SEATS
AUDITORIUM #2	172 SEATS
AUDITORIUM #3	78 SEATS
AUDITORIUM #4	60 SEATS
AUDITORIUM #5	61 SEATS
AUDITORIUM #6	70 SEATS
PROPOSED NEW	
AUDITORIUM #7	232 SEATS
TOTAL	966 SEATS

TOILET FACILITIES	
(QUANTITIES PER IBC TABLE 2902.1)	
966 SEATS TOTAL A-1 ASSEMBLY (THEATER)	
966	SEATS / 2 PER CODE HALF MEN & HALF WOMEN = 483
QTY PERSONS	
QTY FIXTURES	
966	DRINKING FOUNTAINS (gob) REQUIRED = 2
483	WATER CLOSETS (1/125) REQ'D FOR MEN LESS URINALS = 2
483	URINALS (IPC 419.2 Substitution for water closets. In each bathroom or toilet room, urinals shall not be substituted for more than 67 percent of the required water closets in assembly and educational occupancies.) = 2
483	LAVATORY SINKS (1/200) REQ'D FOR MEN = 3
483	WATER CLOSETS (1/65) REQ'D FOR WOMEN = 8
483	LAVATORY SINKS (1/200) REQ'D FOR MEN = 3
EXISTING RESTROOM FIXTURES ARE MORE THAN REQUIRED BY CODE	

SITE PARKING	
PER 21.03 (14):1 SPACE PER 4-½ SEATS	
966 SEATS DIVIDED BY 4-½ SEATS PER SPACE = 215 SPACES	
232 SPACES W/ 16 HANDICAPPED SUPPLIED: OK	

SPRINKLERS
 NEW ADDITION IS SEPARATED BY FIREWALLS FROM THE EXISTING, IS LESS THAN 12,000SF AND LESS THAN 300 PERSON OCCUPANCY IS NOT REQUIRED TO BE SPRINKLERED

KEY TO DRAWINGS	
PAGE	DESCRIPTION
A1 OF 4	SITE PLAN
A2 OF 4	FOUNDATION PLAN & SCHEDULES
A3 OF 4	FLOOR PLAN & LINTELS
A4 OF 4	SECTIONS & ELEVATIONS

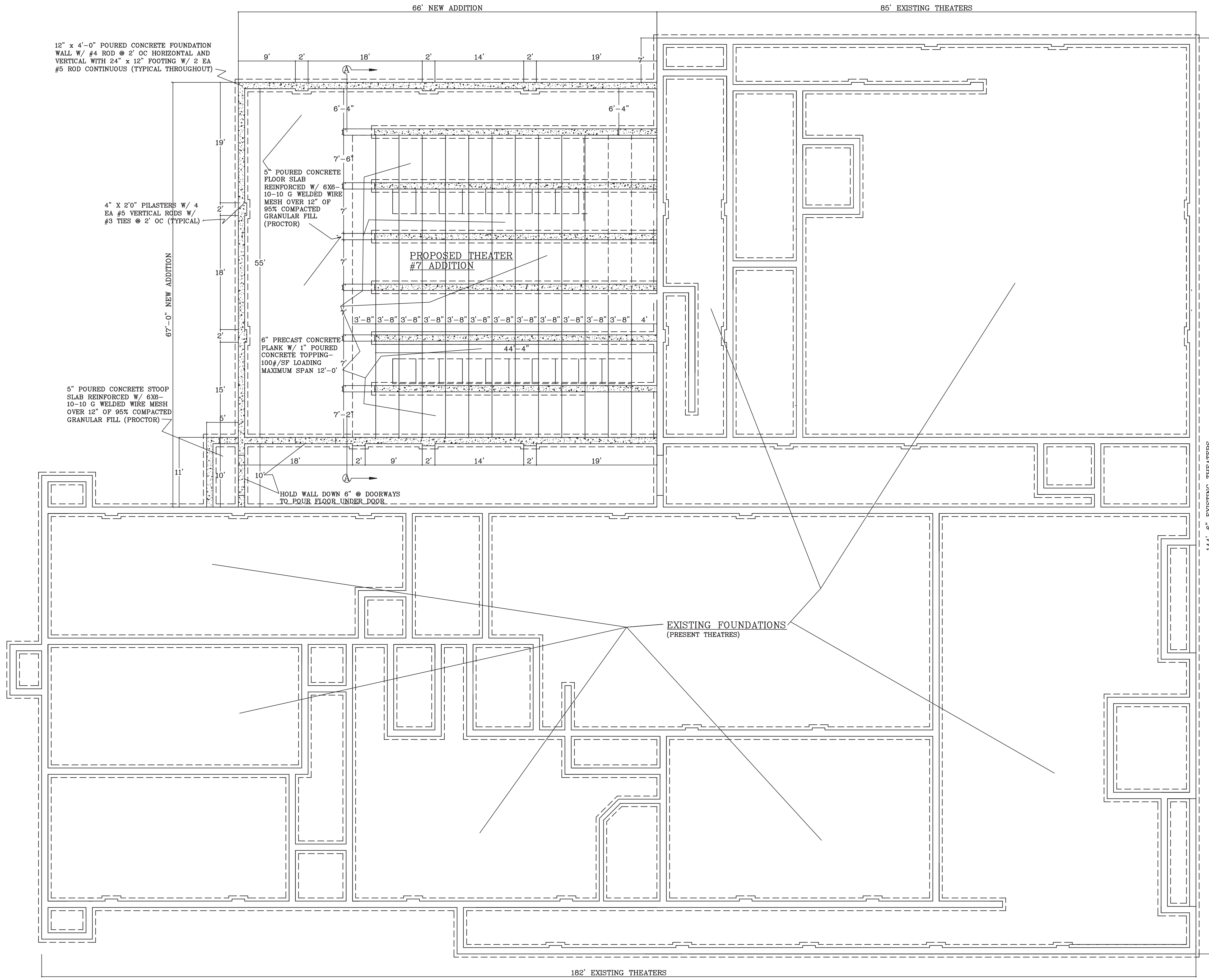
SITE PLAN

SCALE: 1'-0" = 20'

O'DONNELL ENGINEERING ASSOCIATES
 Architects • Engineers
 W 594 Heintown Road
 Chili, WI 54420
 Office (715) 683-2755 • Home (715) 384-8833
 odonnelleng@odonnellweb.net

PROPOSED THEATER #7 ADDITION FOR
 Roger's Cinemas Inc.
 2725 S. Church Street, Stevens Point, WI 54481

SCALE: Noted	PAGE NO:
DATE: 5/4/2010	
NAME: BL	
DWG. NO. 13-148	
CADF ILE: RogersCinemaStPtAddition1Jul13	
REVISIONS:	
16mar10, 21may10, 1Jul13, 18Jul13 26Aug13	A1 of 4



ROOM FINISH SCHEDULE							
MARK	DESCRIPTION	FLOOR	BASE	WALL	CEILING	CEILING HEIGHT	REMARKS
101	EXIT CORRIDOR	28 OZ COMMERCIAL CARPET	28 OZ CARPET	28 OZ CARPET	5\"/>		

DOOR SCHEDULE							
MARK	DESCRIPTION	SIZE	DOOR	FRAME	GLASS	FIRE RATING	REMARKS
A	DOUBLE ENTRY DOOR	2 EA 3'-0\"/>					

FOUNDATION PLAN
SCALE: 1/8"=1'-0"

O'DONNELL ENGINEERING ASSOCIATES
Architects • Engineers
W 594 Heintown Road
Chili, WI 54420
Office (715) 683-2755 • Home (715) 384-8833
odonnelleng@odonnellweb.net

PROPOSED THEATER #7 ADDITION FOR
Roger's Cinemas Inc.
2725 S. Church Street, Stevens Point, WI 54481

SCALE: Noted	PAGE NO:
DATE: 5/4/2010	
NAME: BL	
DWG. NO.: 13-148	
CAD FILE: RogersCinemaStPtAddition1Jul13	
REVISIONS: 16mar10, 21may10, 1Jul13, 18Jul13 26Aug13	