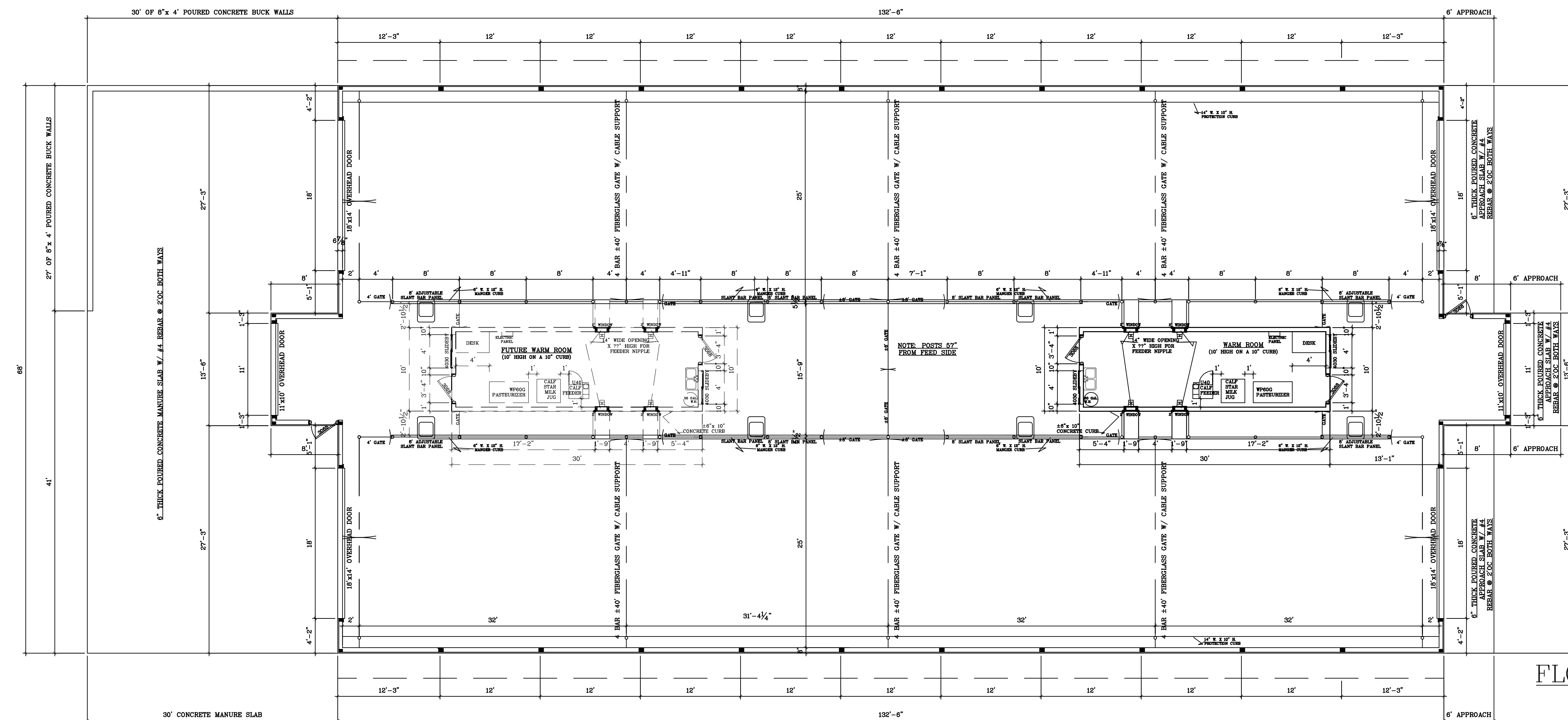


FOUNDATION PLAN
SCALE: 1/8"=1'-0"



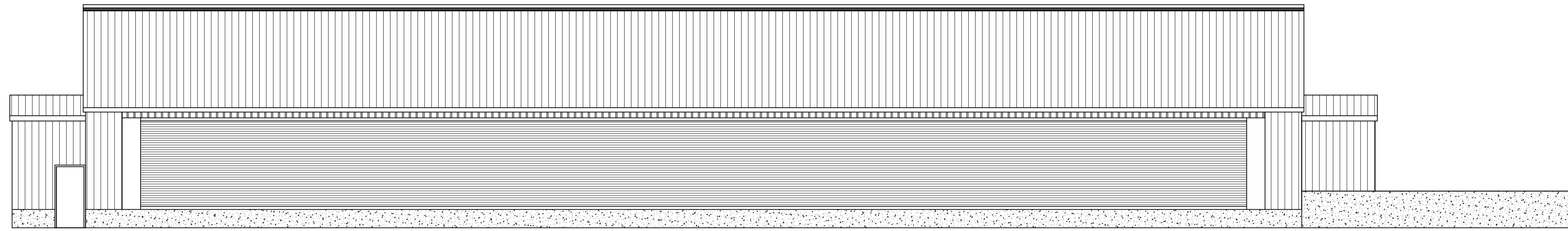
FLOOR PLAN
SCALE: 1/8"=1'-0"

SCALE/NOTED: 3MAY14
DATE: BL
NAME: BL
DWG. NO.: 14-173
CAD FILE:
REVISIONS: 30JUN14 2JUL14

PROPOSED CALF BARN FOR

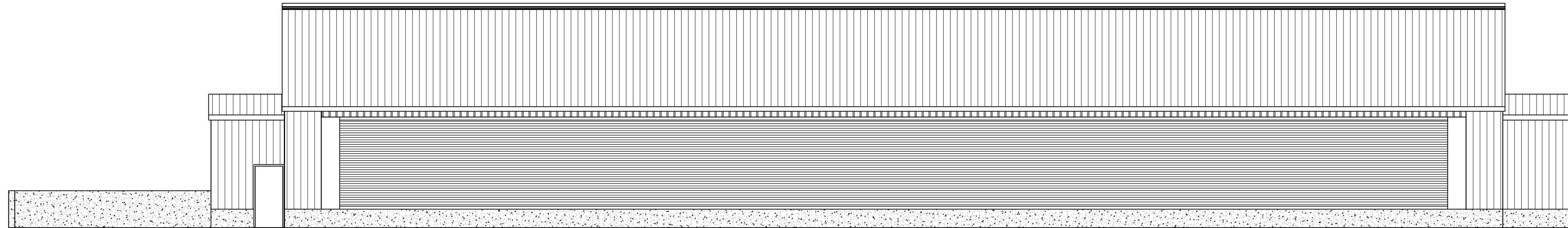
BESTIMATE LLC
http://bestimate.com
714 E Ninth St
Marshfield, WI 54449





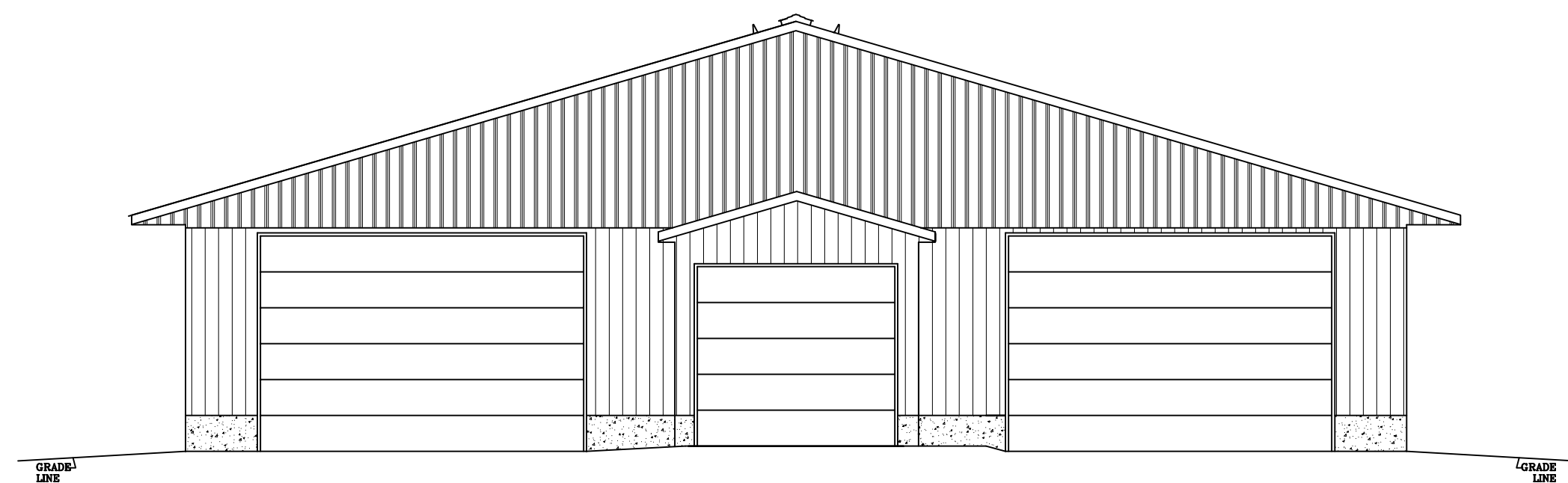
SIDEWALL ELEVATION

SCALE: 1/8" = 1'-0"



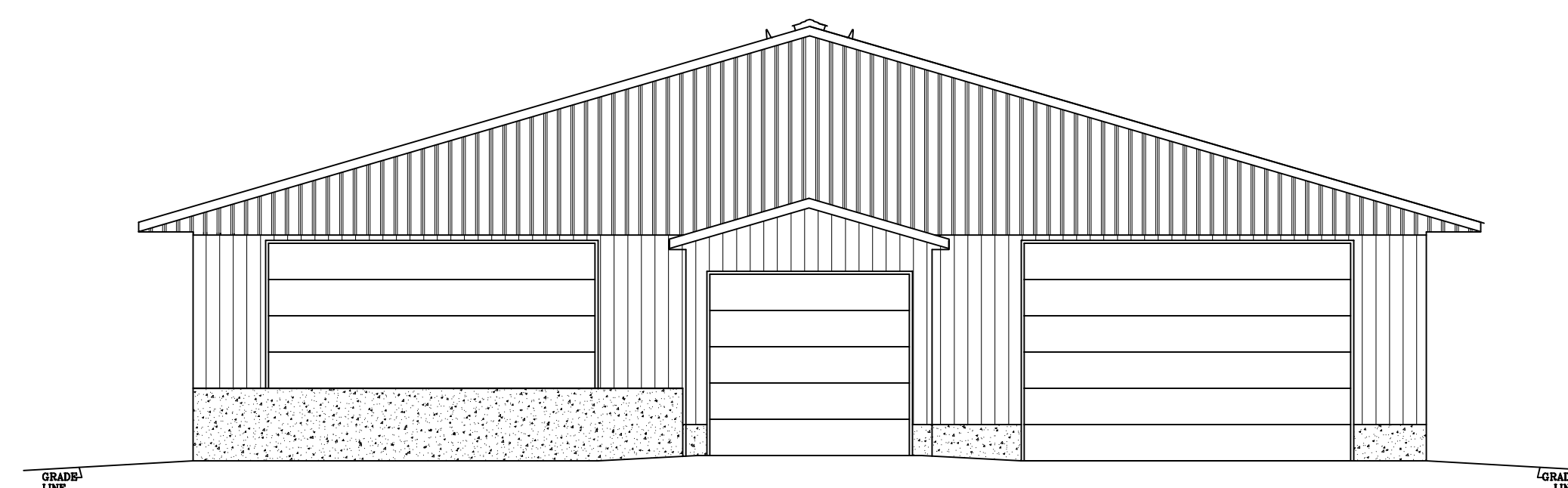
SIDEWALL ELEVATION

SCALE: 1/8" = 1'-0"



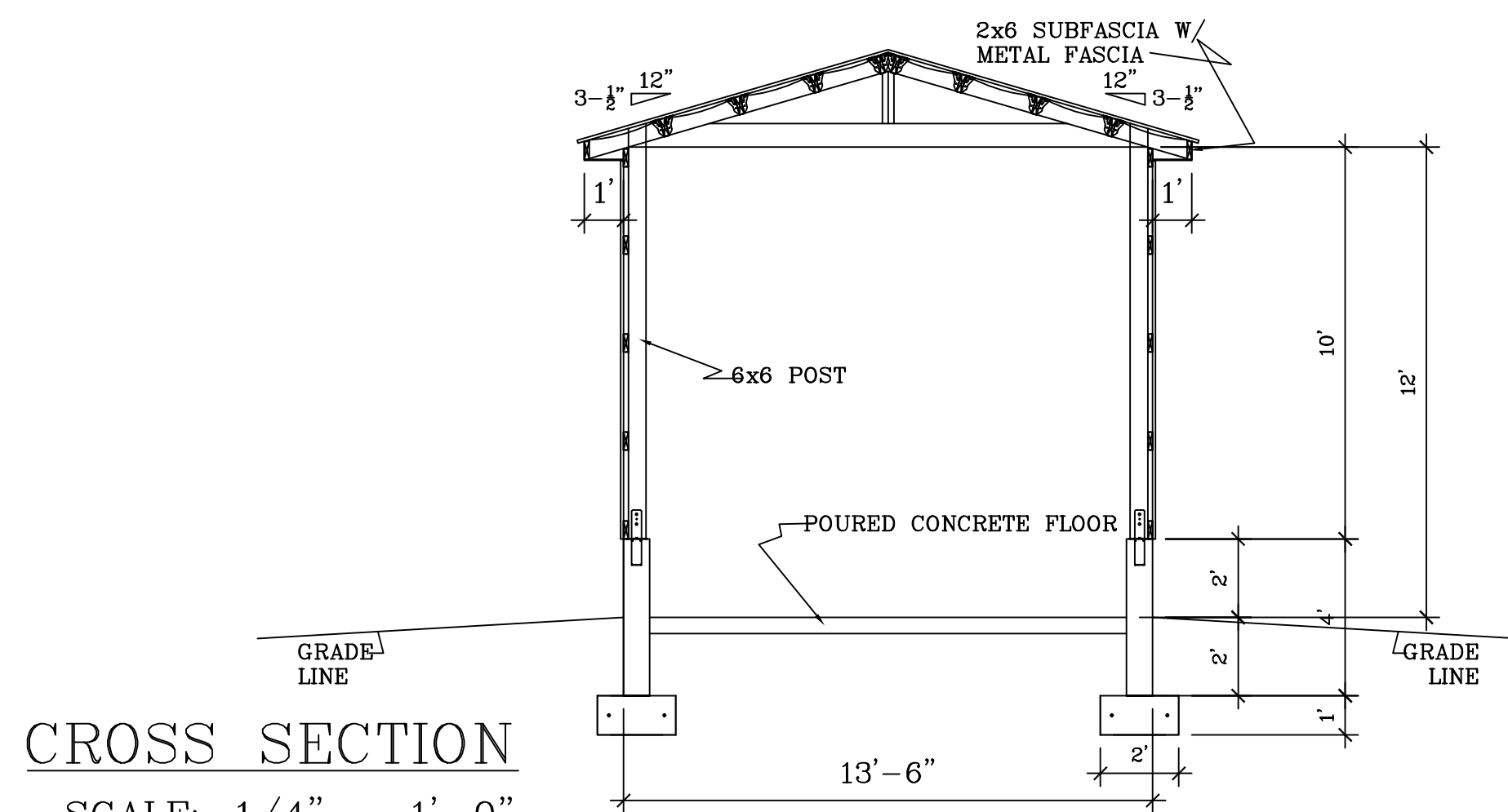
END ELEVATION

SCALE: 1/8" = 1'-0"



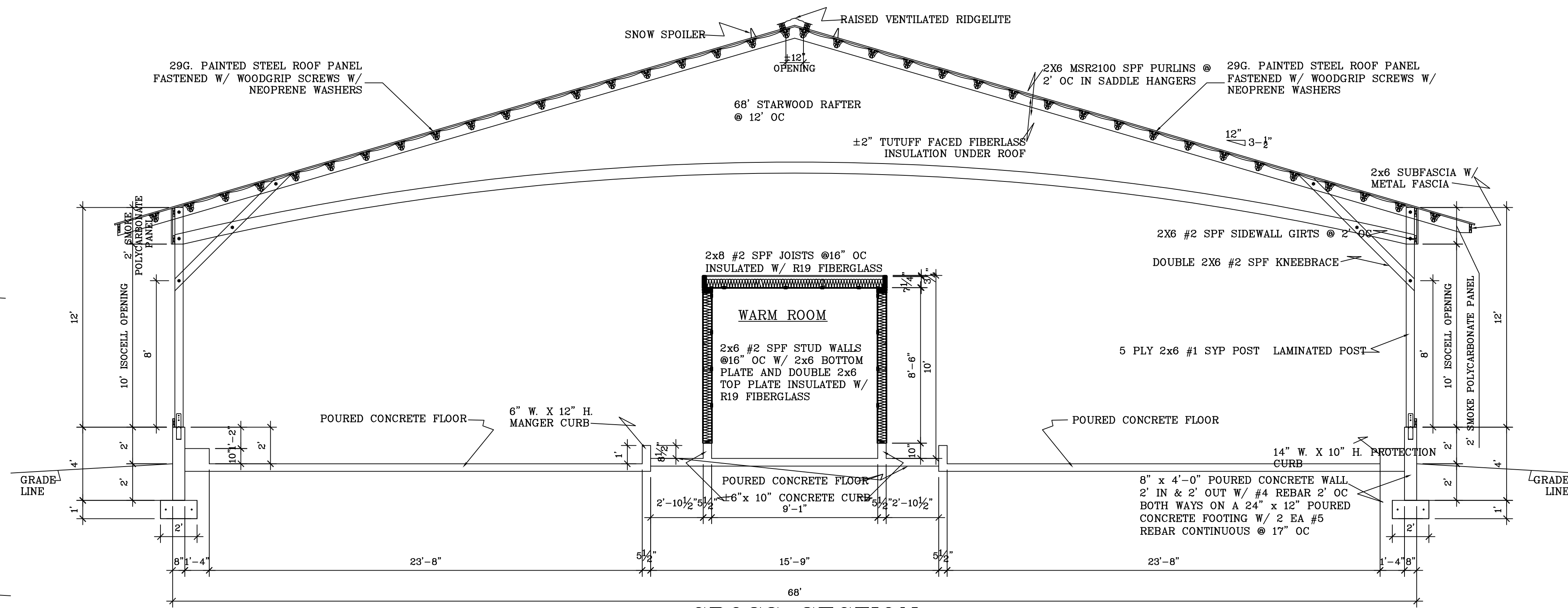
END ELEVATION

SCALE: 1/8" = 1'-0"



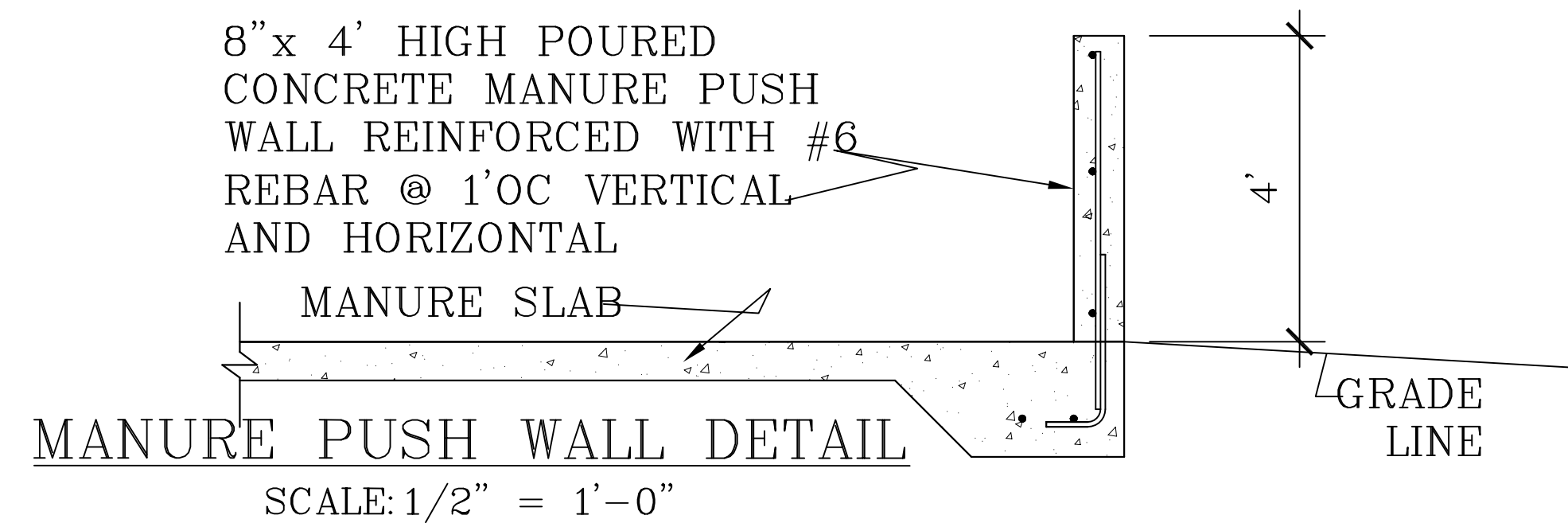
CROSS SECTION

SCALE: 1/4" = 1'-0"



CROSS SECTION

SCALE: 1/4" = 1'-0"



MANURE PUSH WALL DETAIL

SCALE: 1/2" = 1'-0"

| | |
|-------------|----------------|
| SCALE/NOTED | 3MAY14 |
| DATE | BL |
| NAME | 14-173 |
| DWG. NO. | CADF ILE: |
| REVISIONS | 30JUN14 2JUL14 |

PROPOSED CALF BARN FOR

BESTIMATE LLC
http://bestimatellc.com
bob@bestimatellc.com
714 E Ninth St
Marshfield, WI 54449

